

IPS Path Planner

Software for automatic assembly and disassembly feasibility studies

Capability

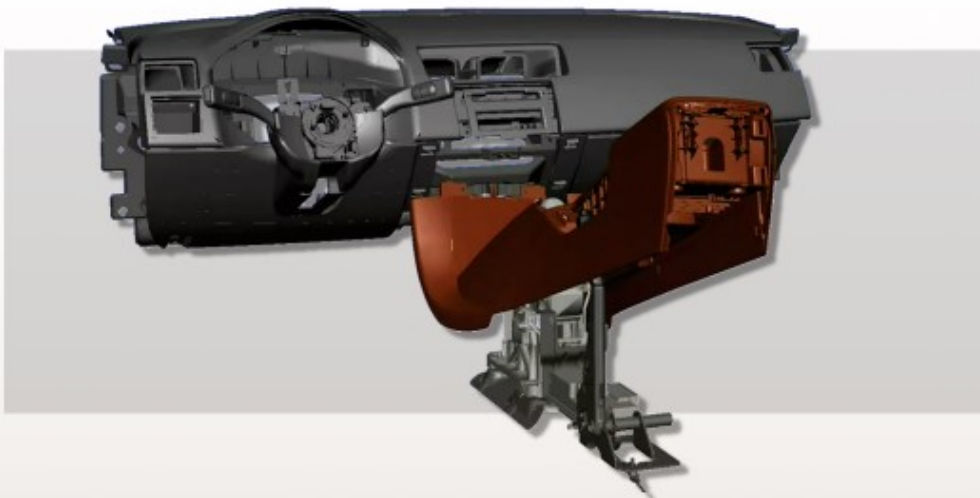
- ➔ *Automatic calculation of assembly paths*
- ➔ *Assembly envelopes*
- ➔ *Clearance analysis*

Benefits

- ➔ *Power (high success rate)*
- ➔ *Speed (30 seconds – 10 minutes)*
- ➔ *Easy to use (one day crash course)*

Results

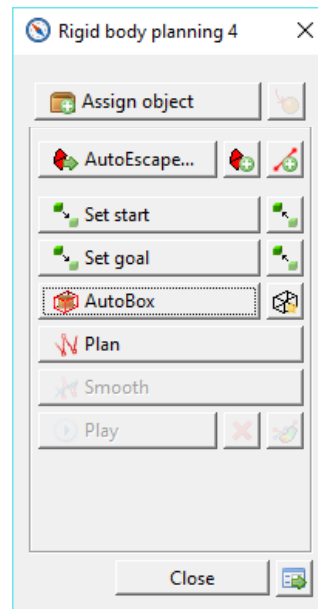
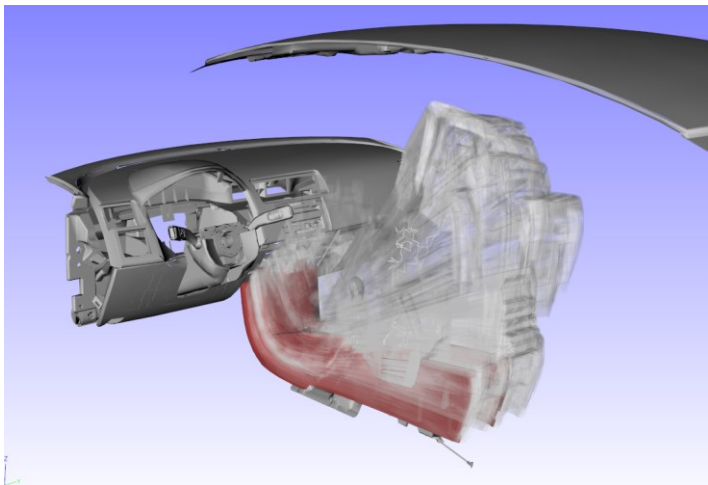
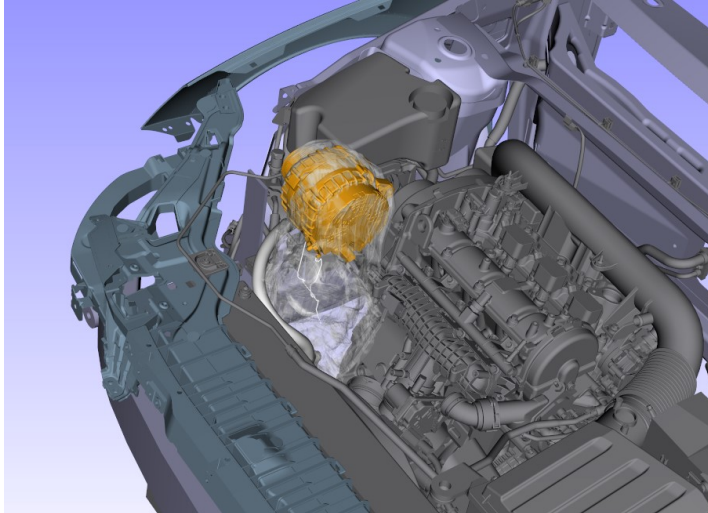
- ➔ *Successfully used in industry since 2002*



IPS Path Planner

Automatic Assembly Path Planning

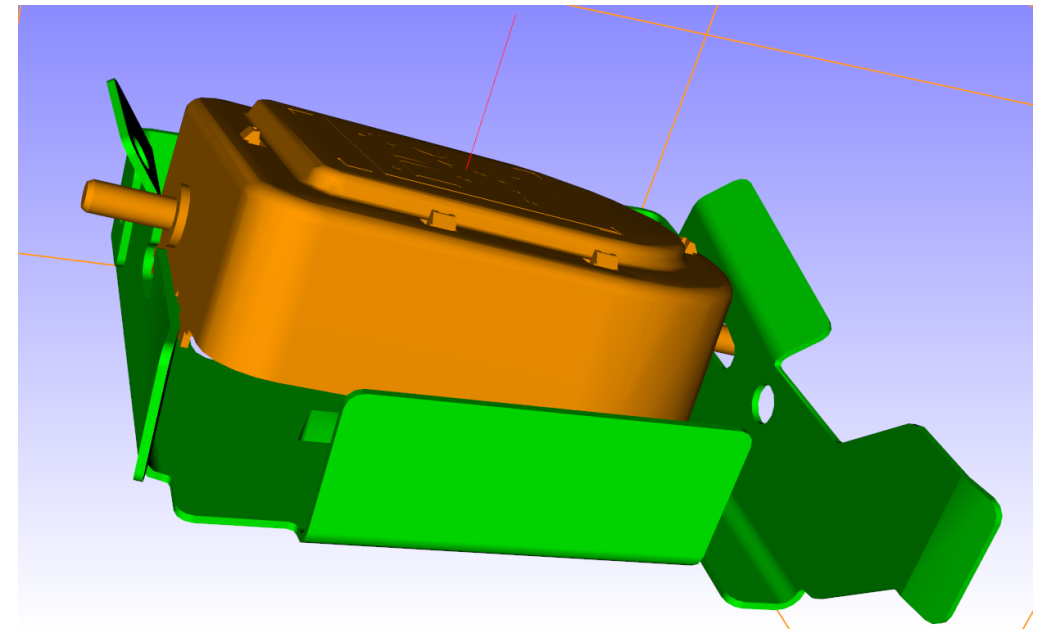
- Set Start and Goal
- Hit Plan Path button
- Guaranteed collision free path
- Finds critical clearances
- Create swept volume
- Analyze



Gliding feature

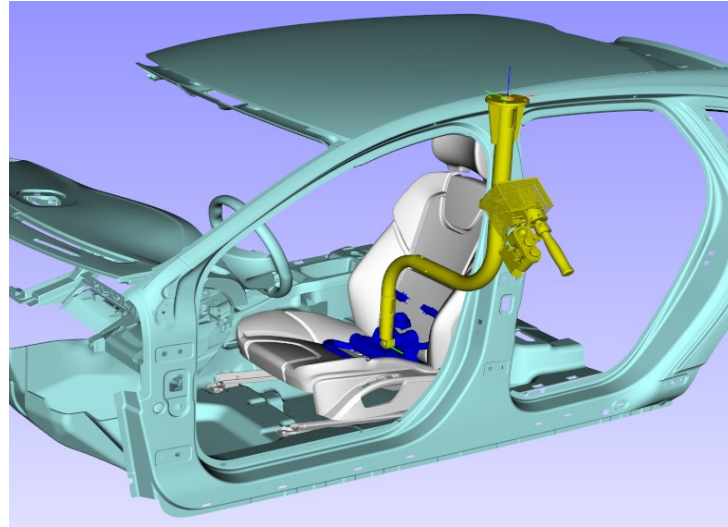
Some items can be very tightly constructed and difficult to path plan.

Use the "Gliding feature" to manually pull out the object by allowing sliding against the surrounding surfaces



IPS Path Planner “Mechanism”

Add-on Feature



Automatic Path Planning with kinematic tool

- Build a mechanism of your tool with restrictions for each joint
- Attach your Planning object
- Set Start and Goal
- Plan Path with planning object together with your kinematic tool
- Analyze